

To Synth+5v

SYNTH OUT OF LOCK  
+6v MOD  
12v To Tx

12v to SYNTH

MIC  
MIC

AVCOMM  
9L72A,B

RECEIVER  
COMPONENT  
LAYOUT

9L72A411

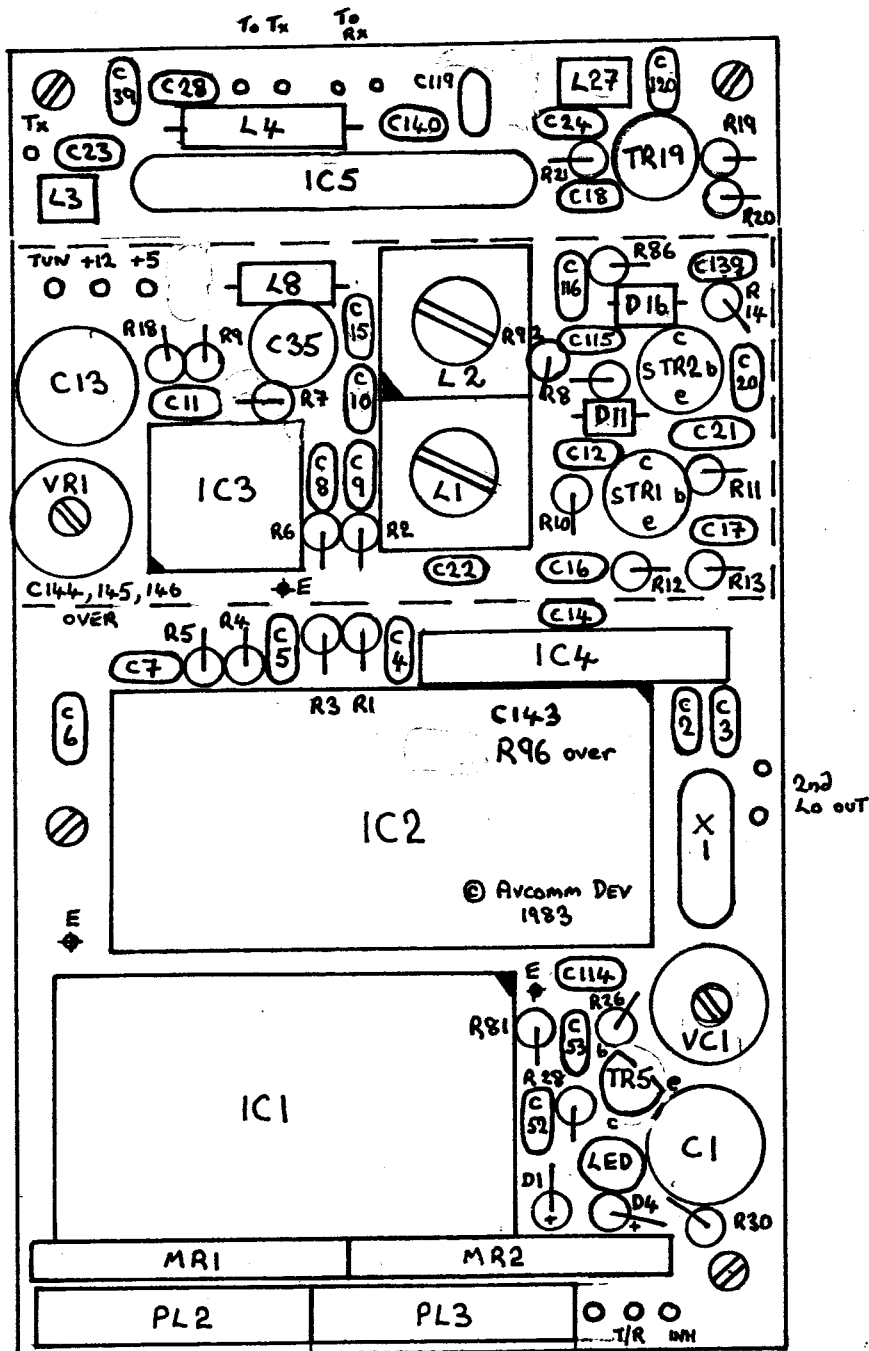
ISSUE 5  
Dec 87

Rx

1ST LO

2nd LO

SQUELCH POT



4 2 1 2 4 8 1 ± 2 4 2 1 8 C +5v  
 10 KHZ 100 KHZ 10 MHz 1 MHz

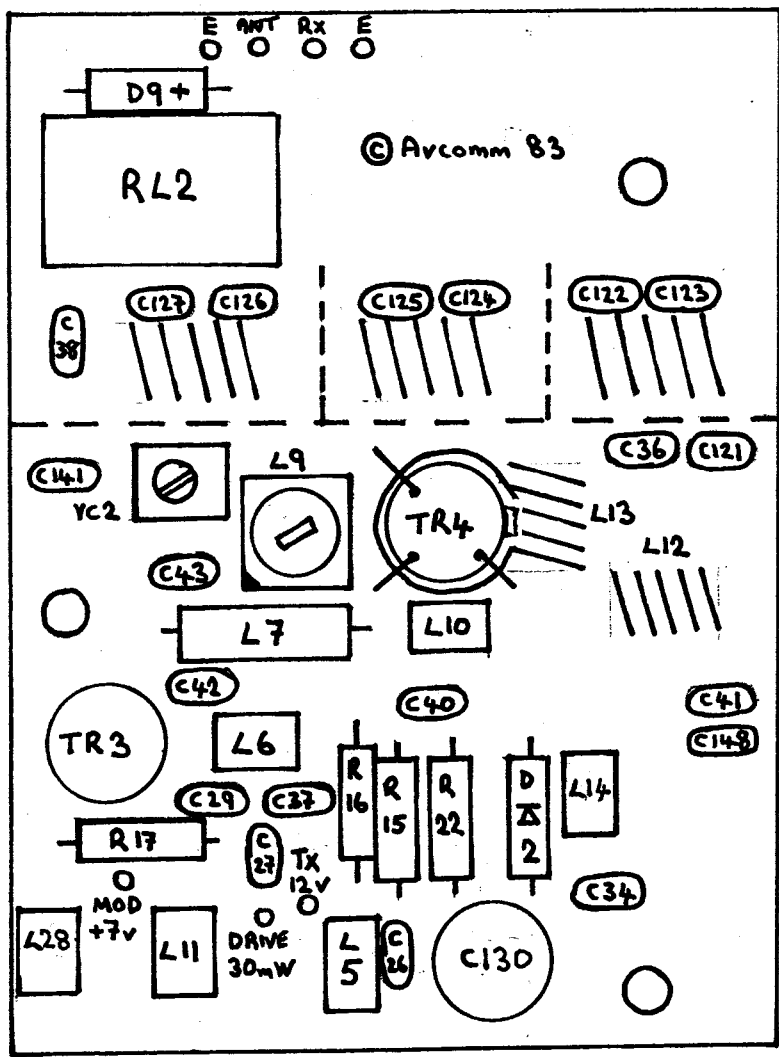
Avcomm QL72 a,b

ISSUE 5  
 Dec 87

QL72A410

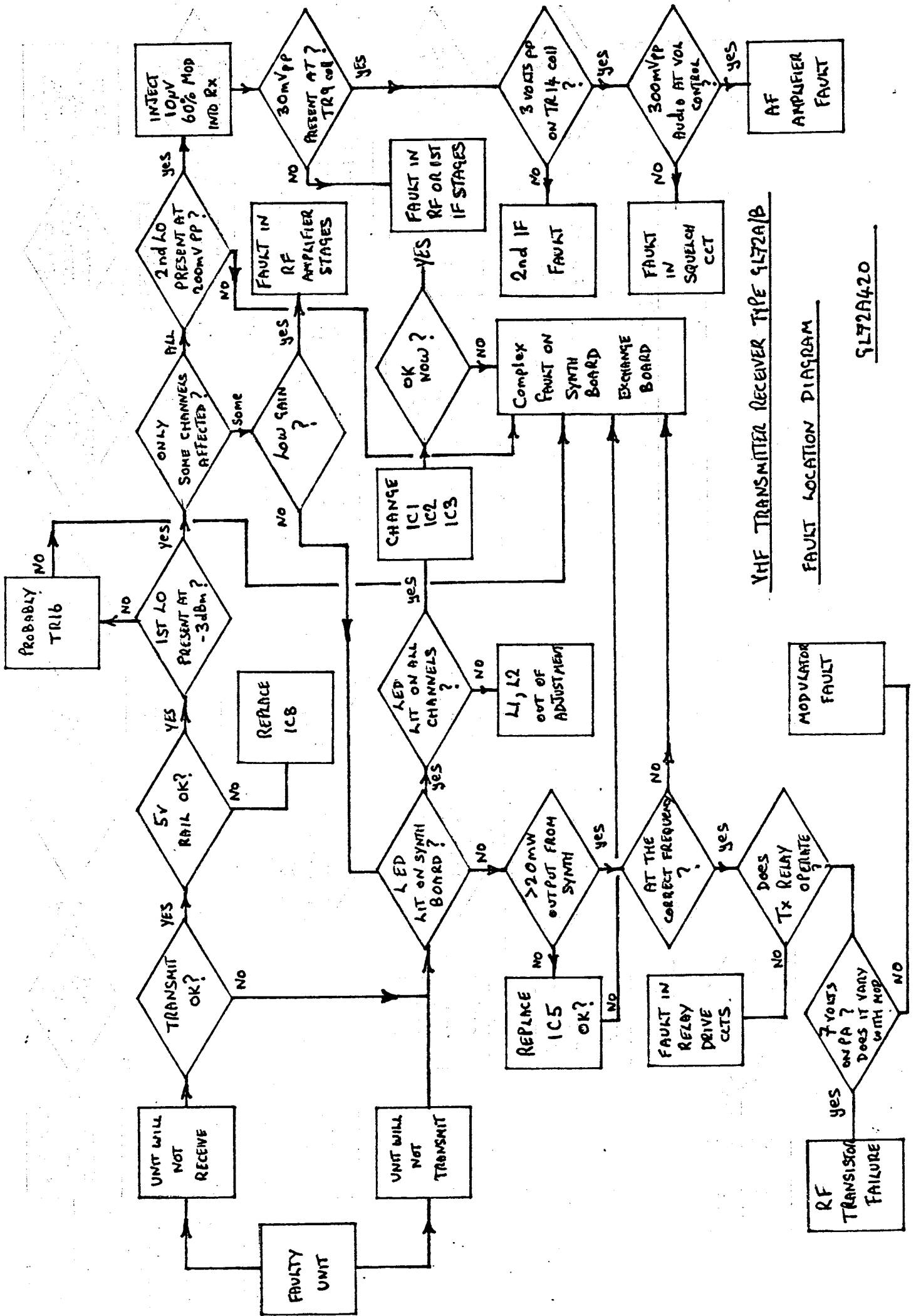
SYNTHESISER COMPONENT LAYOUT





Avcomm 9L72A,B TRANSMITTER LAYOUT

9L72A412 ISSUE 4 Dec 87



VHF TRANSMITTER RECEIVER TYPE 9L72A/B

FAULT LOCATION DIAGRAM

9L72A420